



HDT/HDS/HDC

TNR COMBINES RUGGED DURABILITY WITH HIGH PERFORMANCE DRIVE SYSTEMS.

- These TNR rubber roll-up door models are best suited for industrial and commercial applications with:
- harsh environments of dirt, dust, temperature, rain and snow
 - high pressure and windload
 - door impact concerns
 - high traffic and continual process flow demands

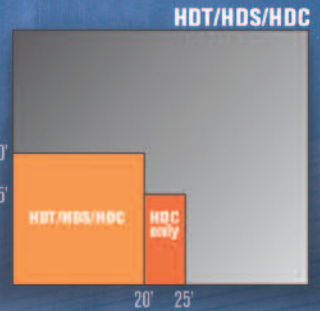


**High performance, high speed, high impact doors
for your challenging environments.**

visit us online at www.tnrdoors.com

HDT/HDS/HDC

**HDT: HEAVY DUTY TRAFFIC HDS: HEAVY DUTY SPEED
HDC: HEAVY DUTY CYCLING SPRINGLESS**



TNR® rubber roll-up doors that have get up and go performance

Peace of mind with maximum uptime in your fast pace, non-stop rugged workplace. Process and Maintenance Engineers recognize the value of TNR's proven indestructibility and endurance qualities combined with high speed performance. Repeat Customers are: manufacturing, food processing, automotive, bus transit stations, parking garages, postal, airports and railways.

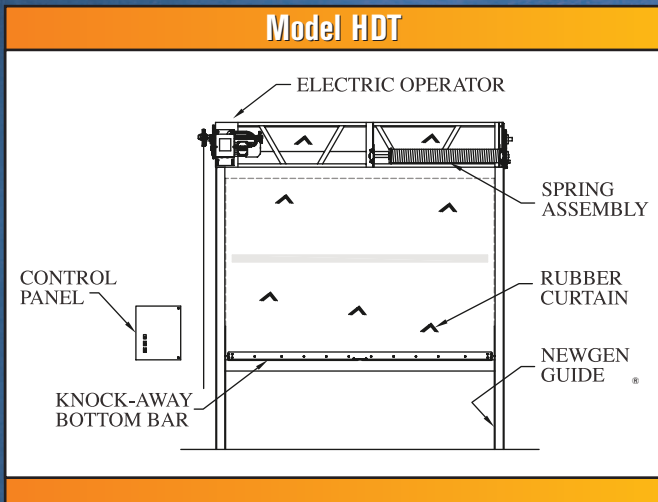
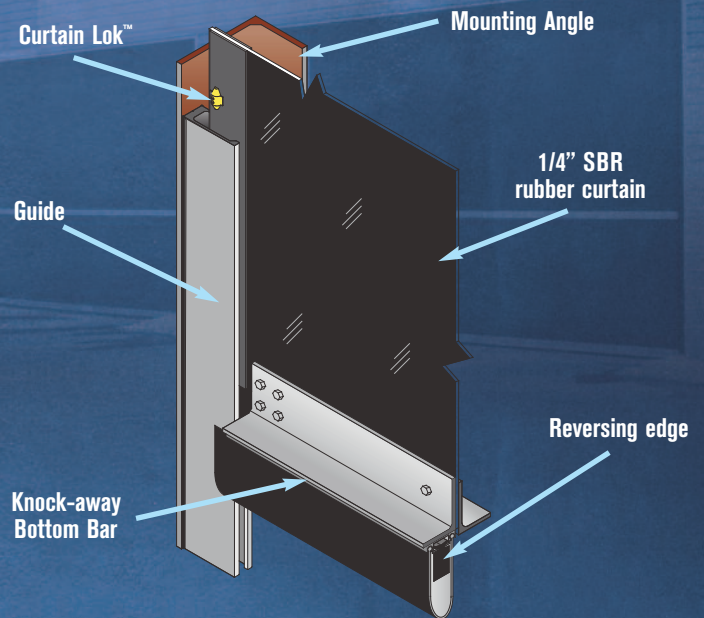
TNR® Mechanical Components

- 1/4" Black SBR rubber with polyester core weave. Flexible and resistant to abusive environments and impacts in temperatures from -40°F to +180°F
- Patented NEWGEN® guide and Curtain Lok™ system. Reliable and consistent door operation and impact release performance. No guide gap maintenance required.
- Impactable: After impact, the door is up and running in minutes
- Knock-away double angle steel bottom bar with rubber loop and reversing edge
- Sleek profile with easy installation, reduced clearances & minimal maintenance. No hinges, cables, pulleys or tension springs
- Self-supporting steel frame
- Frame mounted thru-beam photoelectric sensor.
- Options: colors, windows, hoods, traveling windbar and MSHA-rated self-extinguishing curtains

TNR® Built to your needs Drive Systems

- High Efficiency Helical Gear Head (HG) Operator with multi-function capacity PLC
- Door Speed: up to 60 inches per second (Model HDS)
- Options: access controls and specialty functions

NEWGEN® Guide and Curtain Lok™ system



| | | HDT | HDS | HDC |
|------------------------------|---|-----|-----|-----|
| Opening speed: | Measured inches per second | 30 | 60 | 30 |
| Door size: | See chart above | ■ | ■ | ■ |
| Type of balancing: | Counterbalance spring assembly cycle rating (.000) | 100 | 100 | |
| Springless design: | Springless design: with direct connect inertia brake mounted on the drive barrel shaft | | | ■ |
| Type of curtain: | 1/4" Black SBR rubber with polyester core weave | ■ | ■ | ■ |
| Reversing edge: | Pressure sensitive air-wave edge | ■ | ■ | ■ |
| Control panel: | PLC | ■ | ■ | ■ |
| | Relay Logic | ■ | | |
| Inverted Drive | Soft start and soft stop | | ■ | ■ |
| Activation: | Remotes, pull cords, loop detectors, etc. | ■ | ■ | ■ |
| Self Supporting Steel Frame: | Steel Mounting Angle | ■ | ■ | ■ |
| Warranty: | Two years on parts and workmanship. Limited lifetime warranty on curtain and NEWGEN® Guide. | ■ | ■ | ■ |